

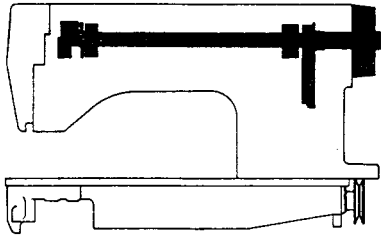
SINGER
781D100,D300

Parts List

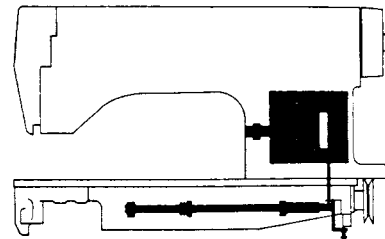
SINGER
INDUSTRIAL PRODUCTS

Parts List

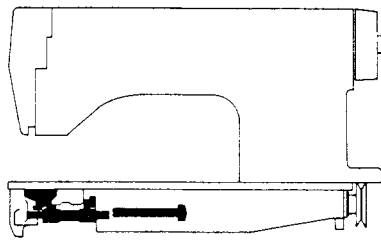
781 D 100 CA
D 300 CA



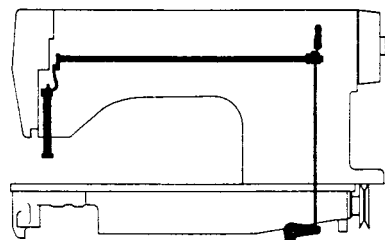
Page 5



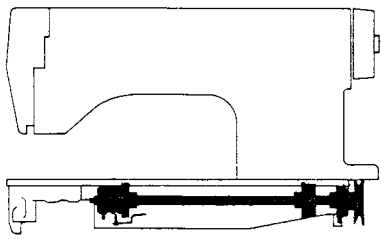
Page 13



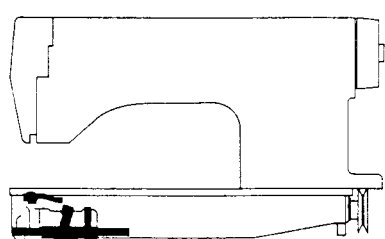
Page 7



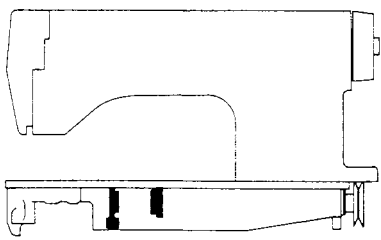
Page 15



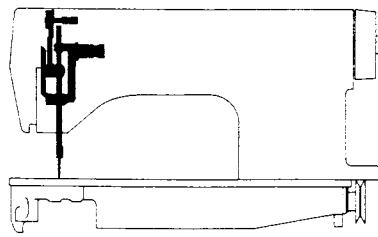
Page 9



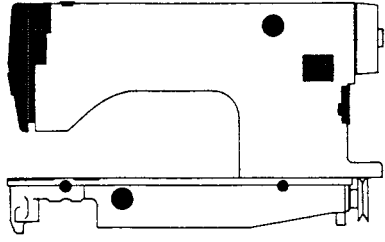
Page 17



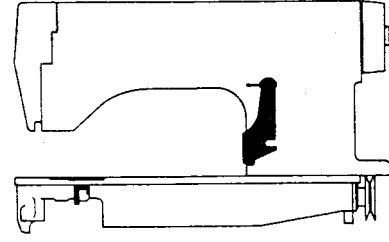
Page 11



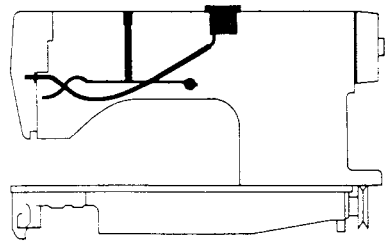
Page 19



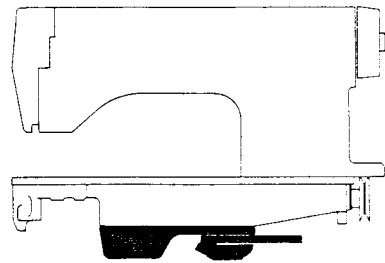
Page 21



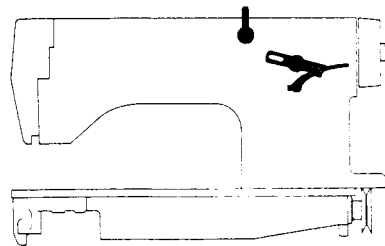
Page 29



Page 23

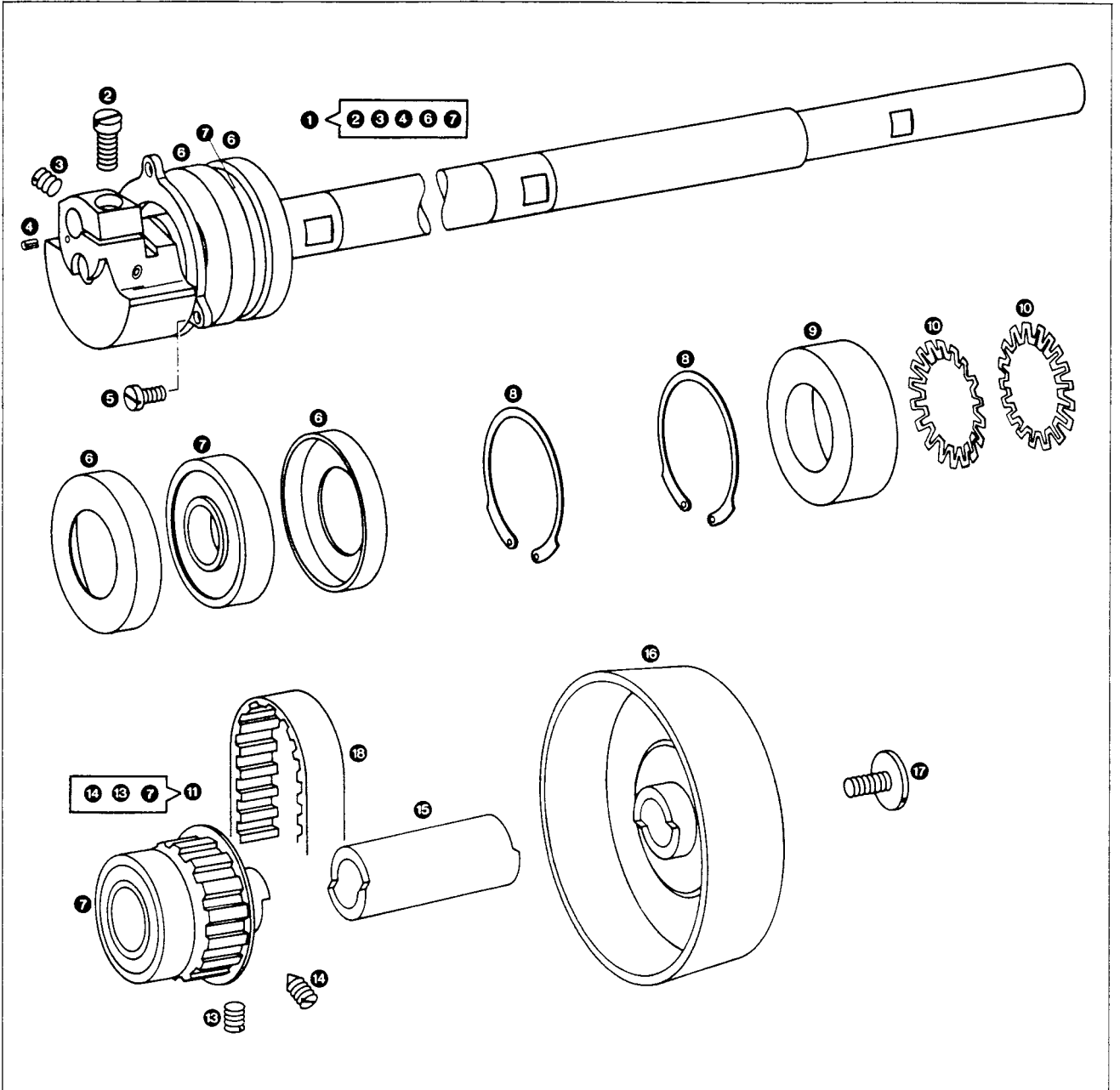
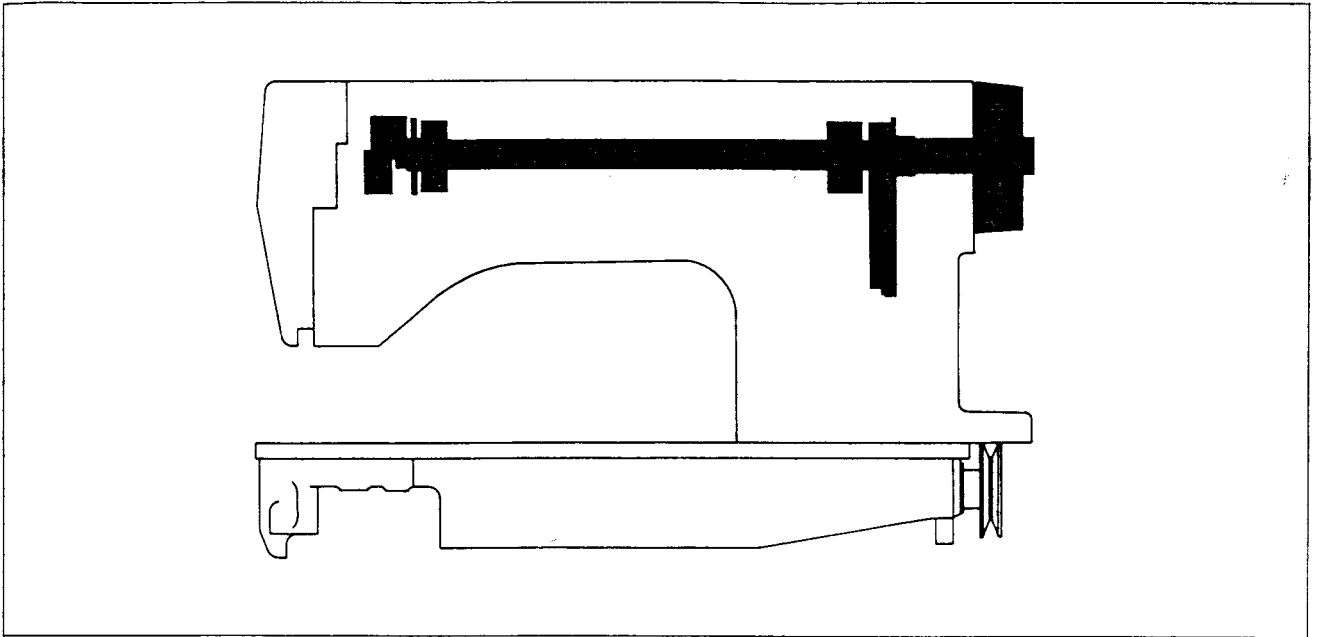


Page 25

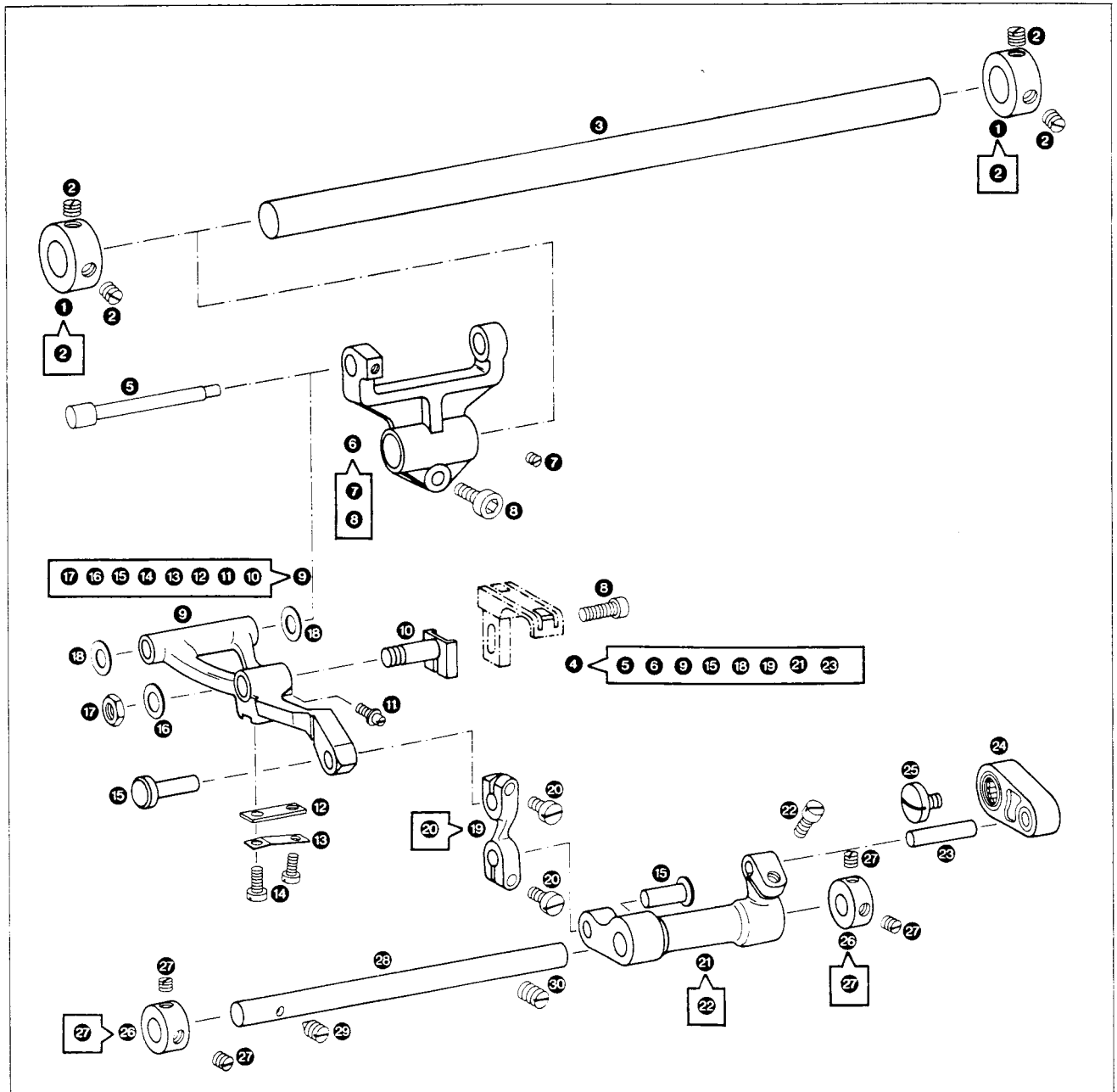
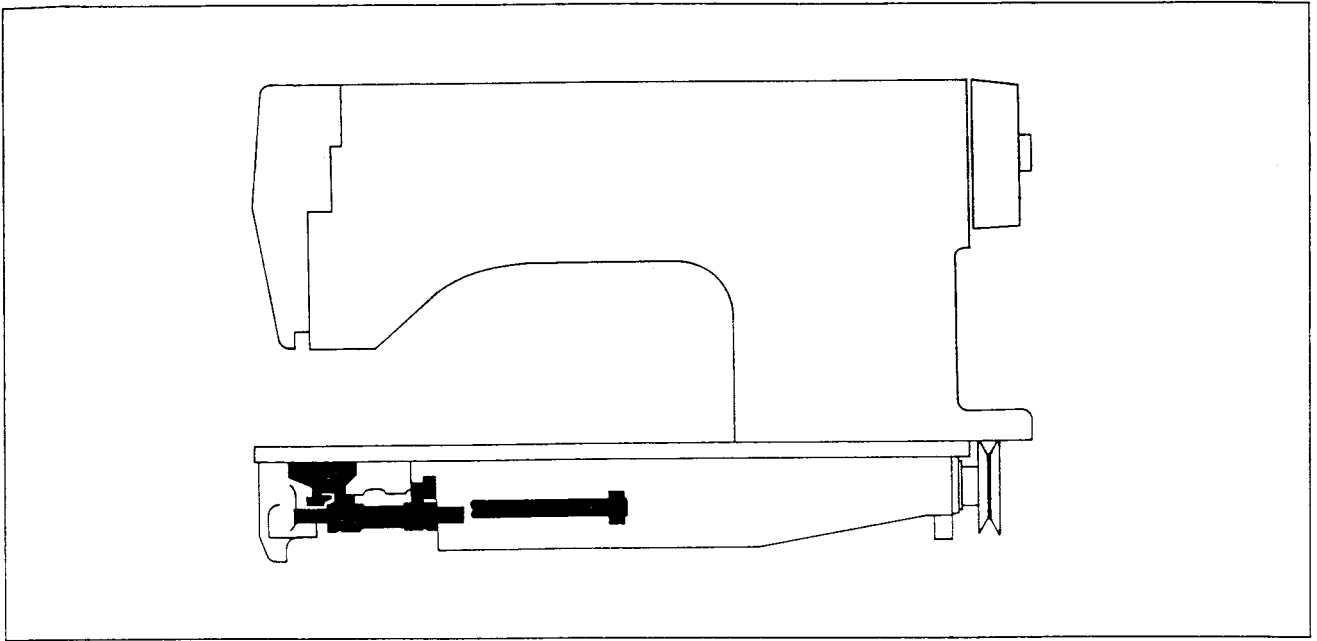


Page 27

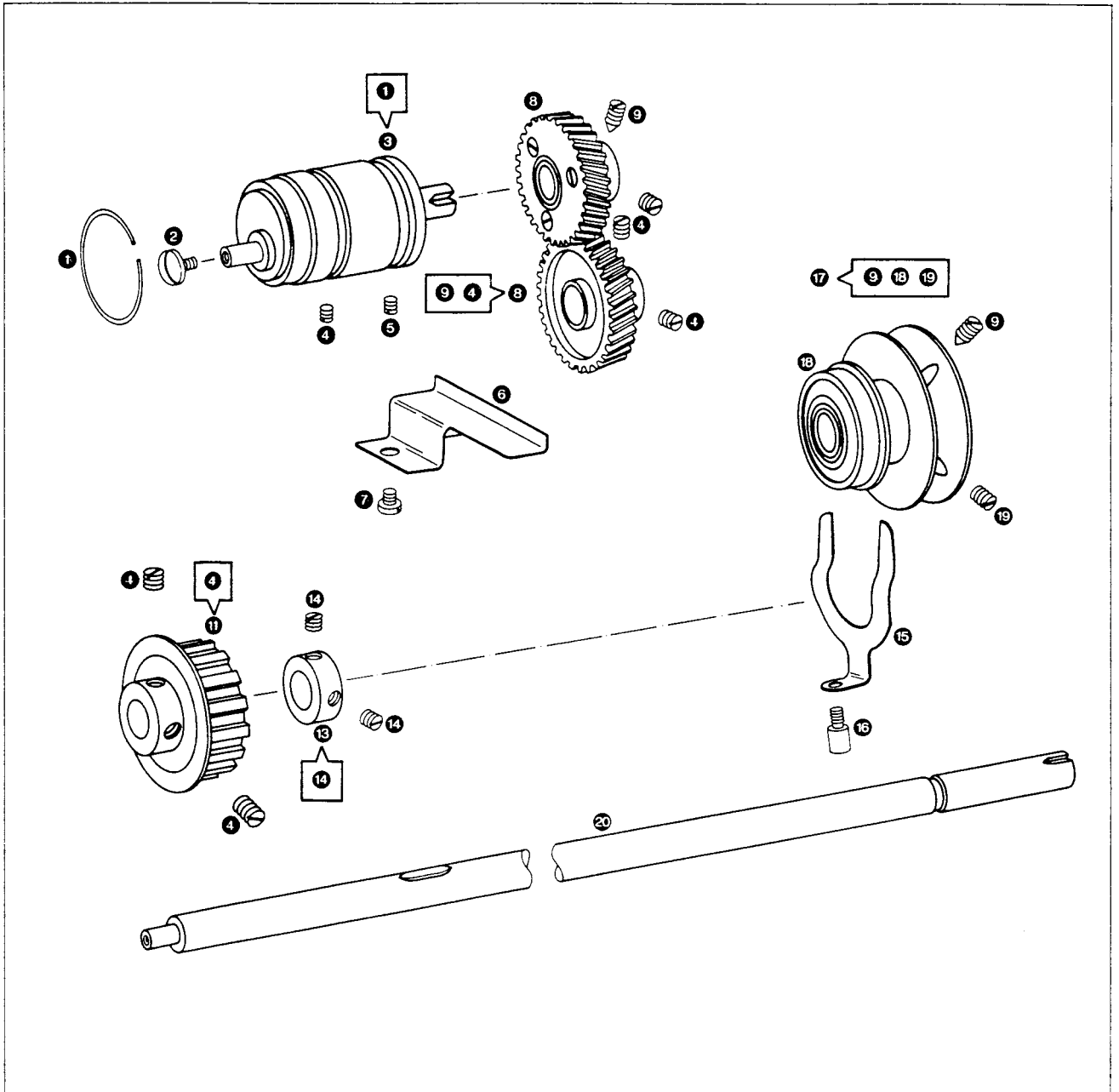
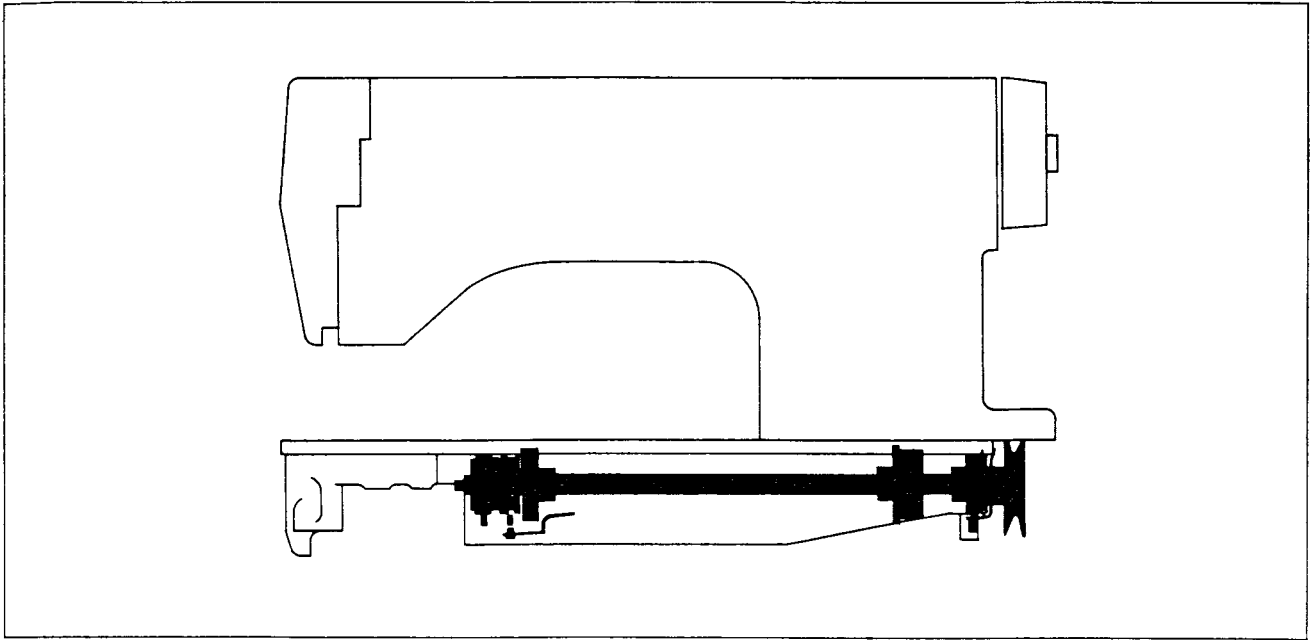
Ref. No.	Part No. For Ordering	Description	Amt. Req.
1	513 207	Arm Shaft cpl.	
2	500 436-850	Screw (Cylinder Head)	
3	140 702-833	Set Screw	
4	512 032	Adapter Sleere	
5	000 704-850	Screw (Cylinder Head)	3
6	512 637	Isophon-Roller-Bearing Cover	2
7	512 116	Grooved Ball Bearing	2
8	512 639	Retaining Ring	2
9	512 638	Damping Cup	
10	512 640	Radial Spring	2
11	512 641	Belt Pulley cpl.	
13	000 443-833	Set Screw	
14	500 426-833	Set Screw	
15	512 834	Intermediate Sleeve	
16	513 253	Hand Wheel	
17	511 531-880	Screw (Fillister Head)	
18	512 644	Machine Belt	



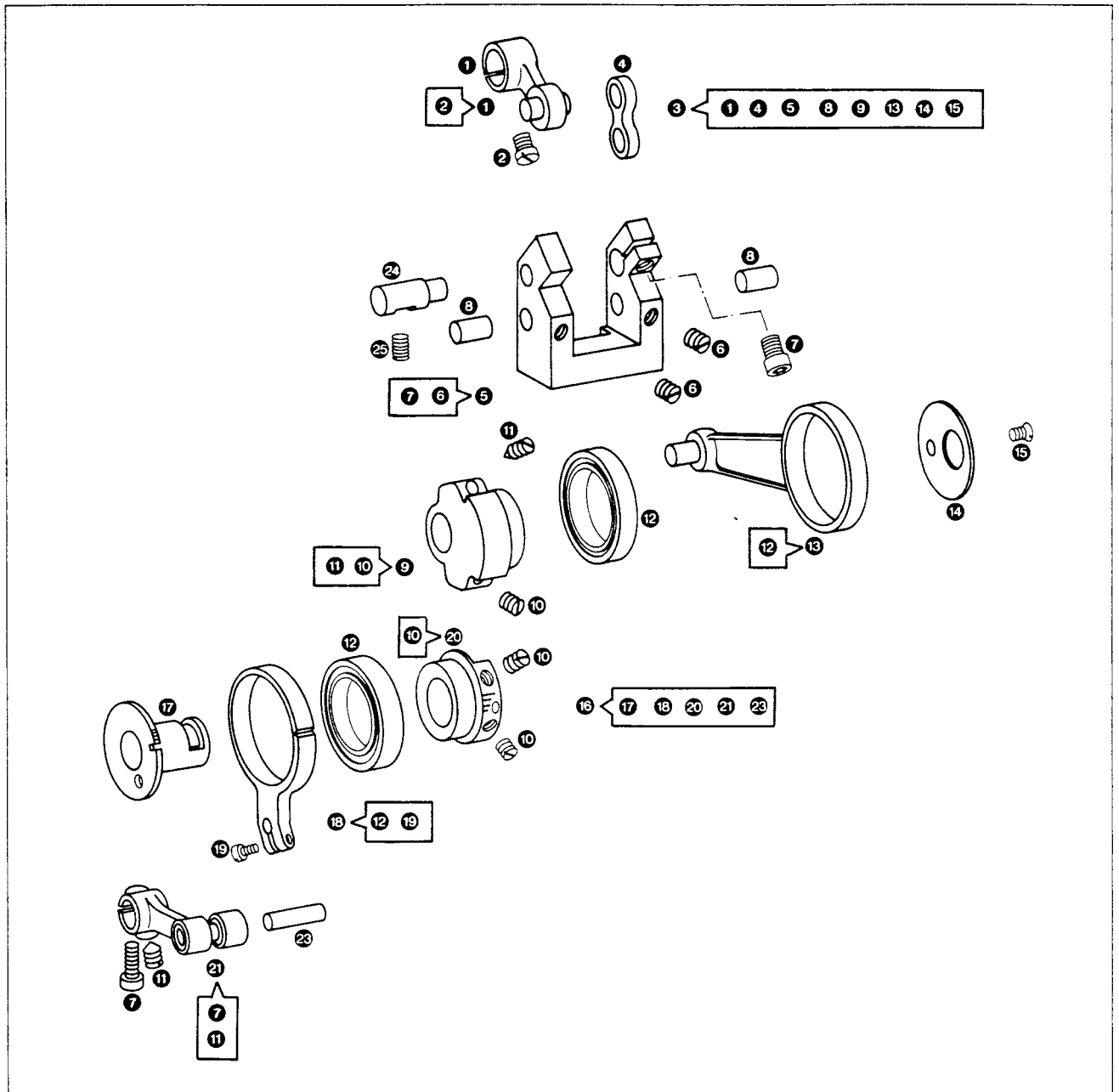
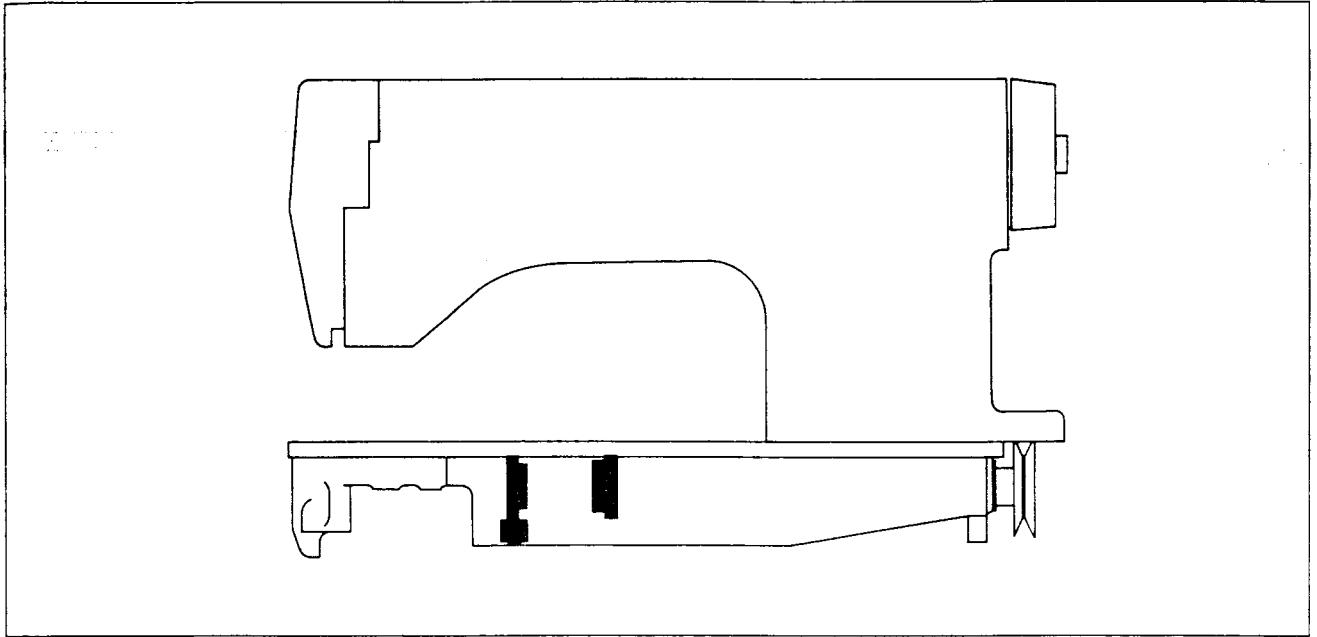
Ref. No.	Part No. For Ordering	Description	Amt. Req.
1	513 173	Adjusting Collar cpl.	2
2	000 453-833	Set Screw	4
3	512 683	Driving Shaft	
4	518 155	Driving Crank w/Feed Bar and Angular Lever cpl.	
5	518 112	Stud	
6	512 769	Driving Crank	
7	000 624-833	Set Screw	
8	350 719-869	Screw (Cylinder Head)	2
9	518 005	Feed Bar cpl.	
10	518 092	Feed Bar	
11	156 069	Threaded Stud	
12	518 091	Strap	
13	518 089	Leaf Spring	
14	500 009-850	Screw (Fillister Head)	2
15	518 093	Stud	2
16	502 544	Spacer	
17	001 519-850	Hexagon Nut	
18	512 770	Washer	2
19	518 018	Crank	
20	500 115-850	Screw (Fillister Head)	2
21	518 012	Angular Lever cpl.	
22	500 435-850	Screw (Cylinder Head)	
23	518 069	Pin	
24	512 764	Link cpl.	
25	500 401-850	Screw (Cylinder Head)	
26	518 094	Adjusting Collar	2
27	000 457-833	Set Screw	4
28	518 090	Shaft	
29	500 426-833	Set Screw	
30	000 448-833	Set Screw	



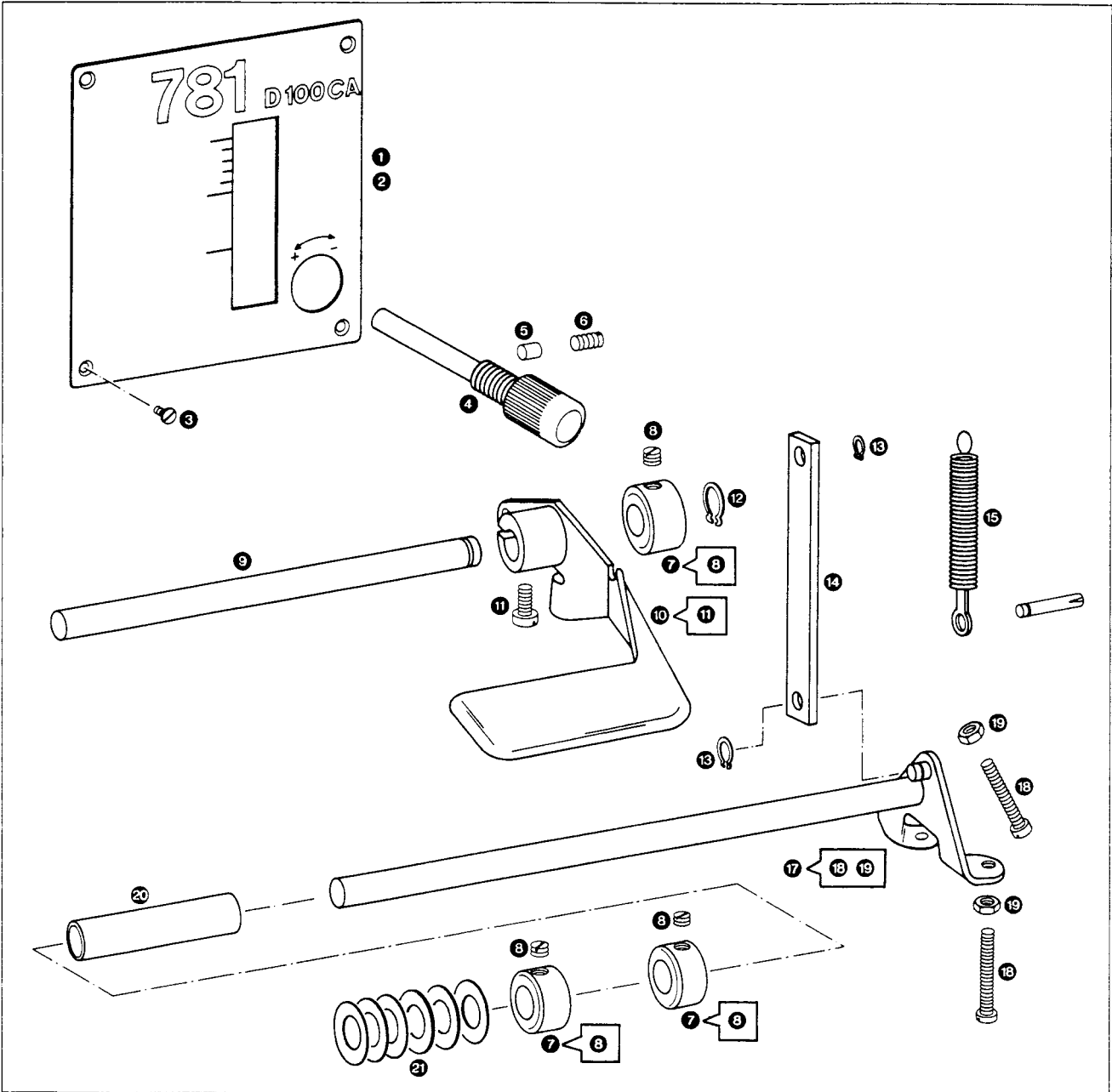
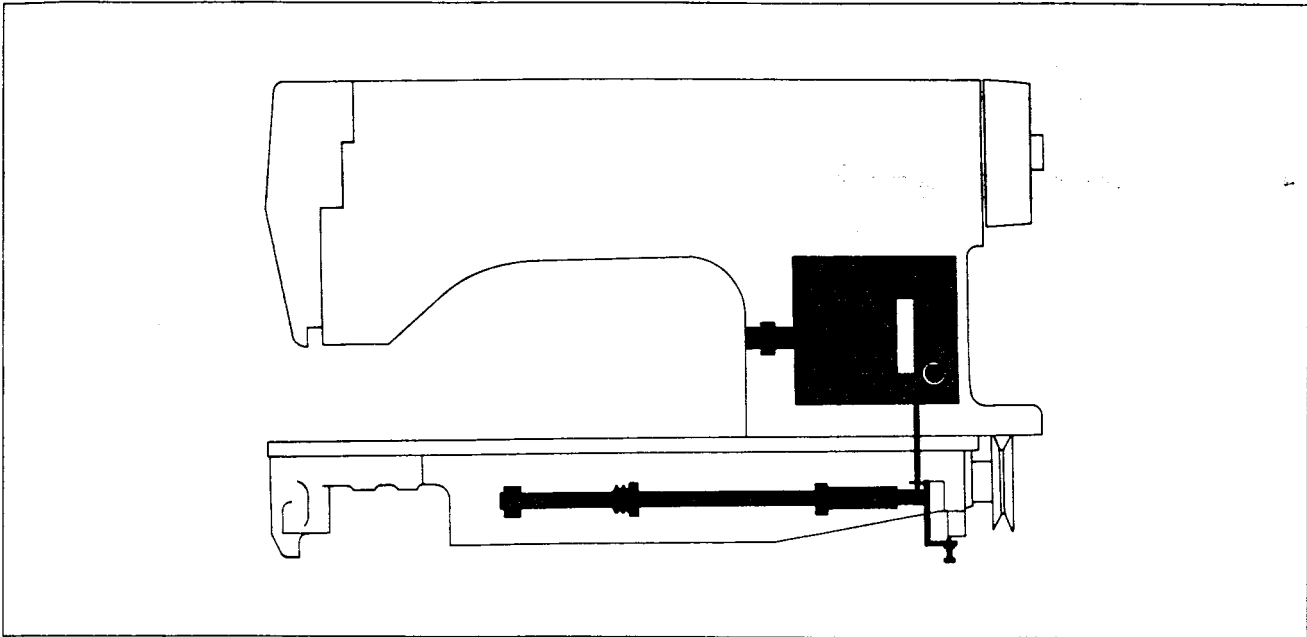
Ref. No.	Part No. For Ordering	Description	Amt. Req.
1	518 079	Ring	
2	050 650-805	Screw (Cylinder Head)	
3	518 076	Eccentric Bushing cpl.	
4	000 448-833	Set Screw	6
5	000 457-833	Set Screw	
6	518 110	Guard Bracket	
7	000 225-850	Screw (Fillister Head)	
8	518 088	Spur Gears (Pair)	
9	500 426-833	Set Screw	2
11	512 647	Belt Pulley	
13	513 173	Adjusting Collar cpl.	
14	000 453-833	Set Screw	2
15	512 914	Retainer	
16	500 439-850	Lug Screw	
17	512 910	Pulley	
18	244 713	Ball Bearing	
19	000 443-833	Set Screw	
20	518 115	Eccentric Shaft	



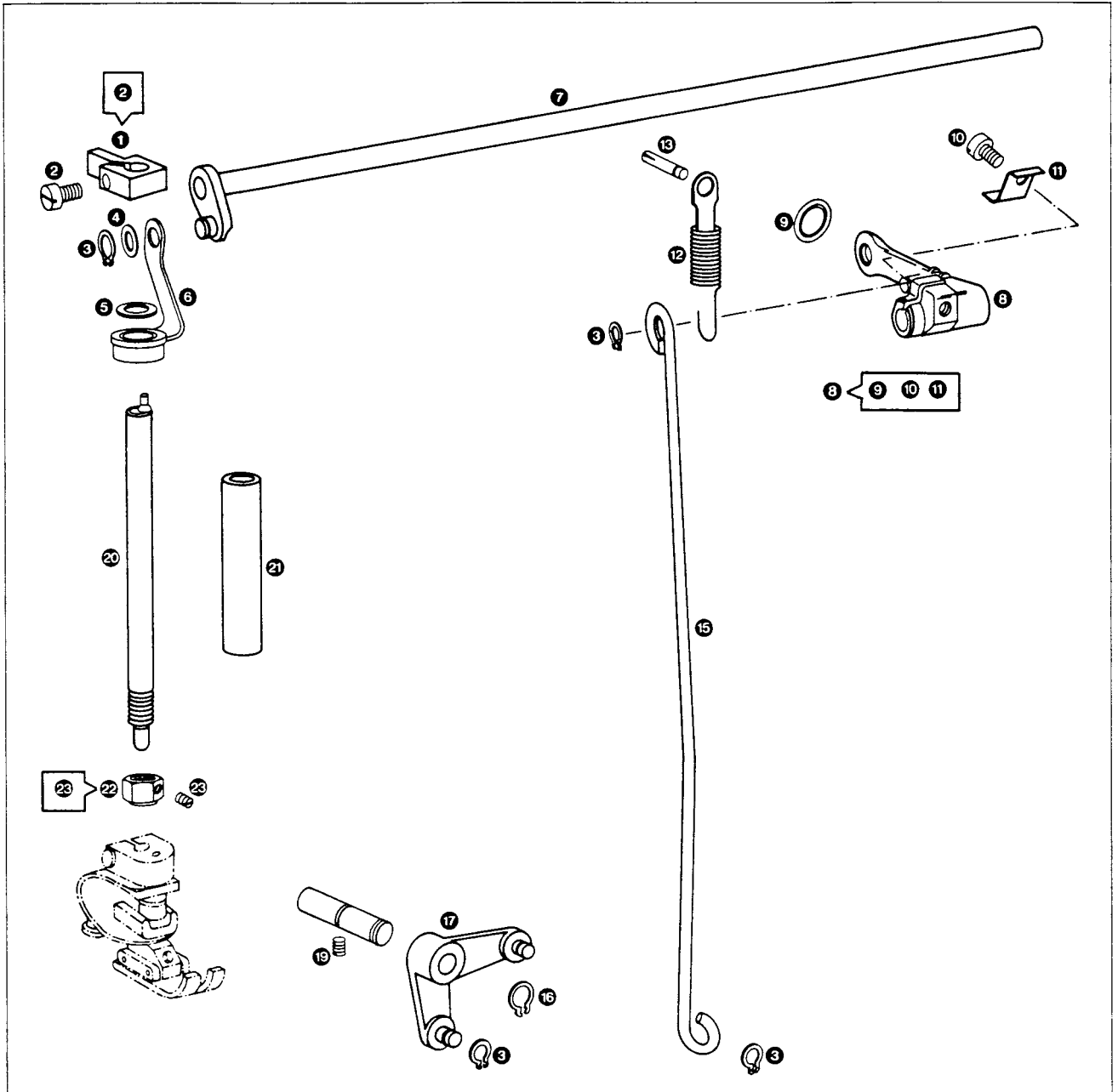
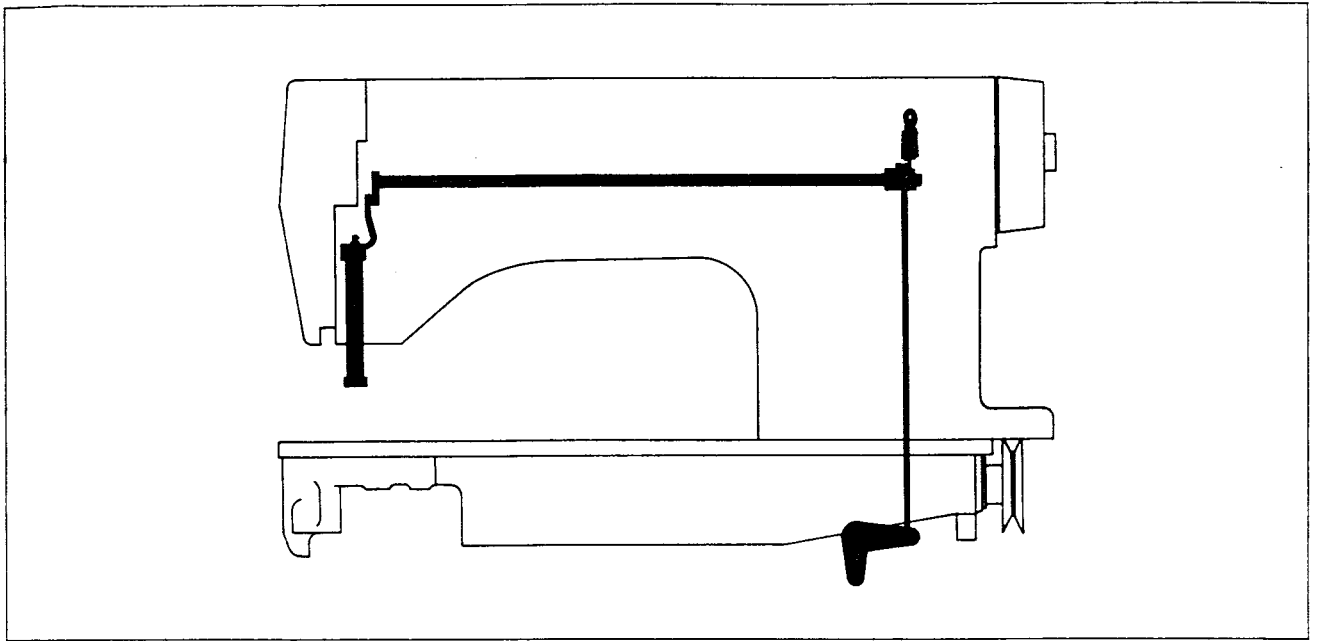
Ref. No.	Part No. For Ordering	Description	Amt. Req.
1	513 190	Crank cpl.	
2	500 440-850	Screw (Cylinder Head)	
3	513 185	Feed Mechanism cpl.	
4	512 631	Set of Straps	
5	513 187	Adjusting Frame cpl.	
6	000 443-833	Set Screw	2
7	350 719-869	Screw (Cylinder Head)	2
8	512 632	Stud	2
9	512 625	Eccentric cpl.	
10	000 448-833	Set Screw	3
11	500 426-833	Set Screw	2
12	512 027	Grooved Ball Bearing	2
13	513 188	Connecting Rod	
14	512 627	Washer	
15	500 431-850	Countersunk Screw	
16	518 179	Loopes Drive, transverse, cpl.	
17	518 177	Eccentric Bushing	
18	518 010	Connecting Rod	
19	500 115-850	Screw (Cylinder Head)	
20	518 178	Eccentric cpl.	
21	518 011	Fork Lever cpl.	
23	518 069	Screw (Cylinder Head)	
24	513 186	Stud	
25	001 036-830	Set Screw	



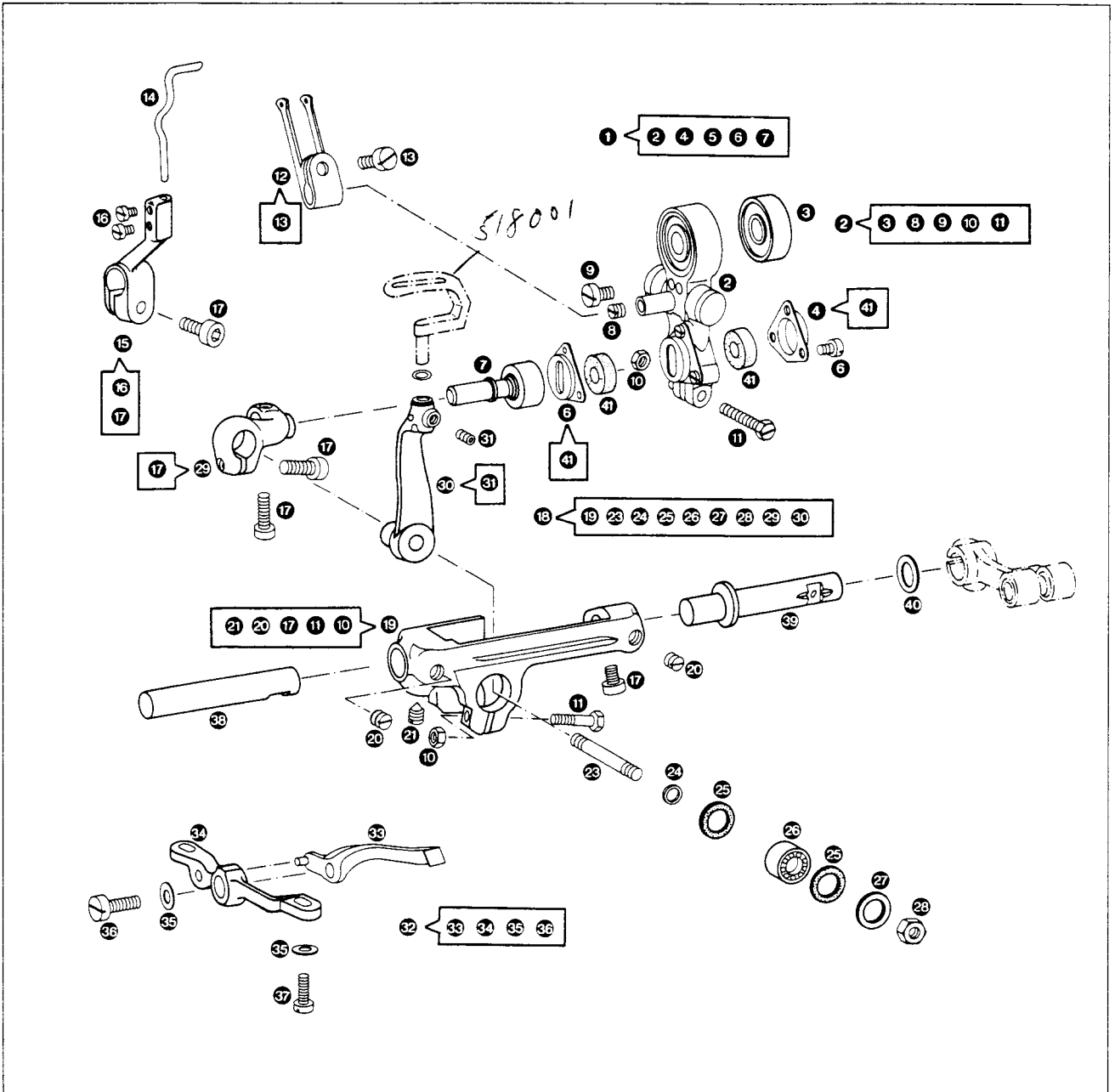
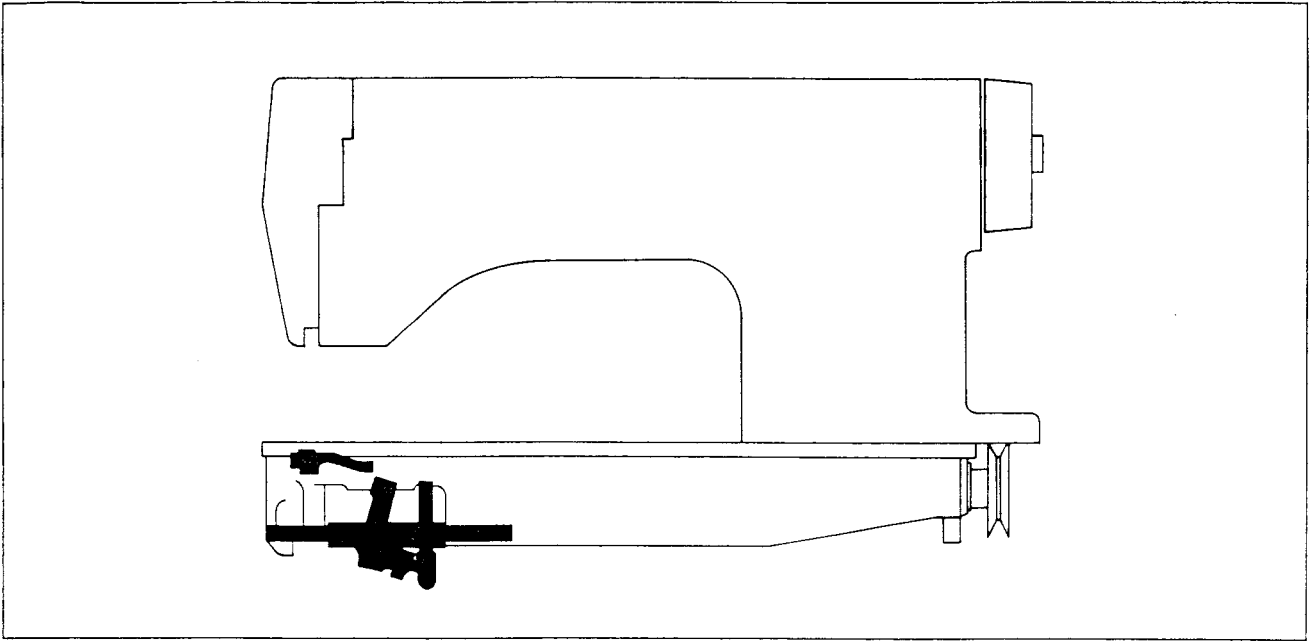
Ref. No.	Part No. For Ordering	Description	Amt. Req.
1	518 180	Arm Cover 781 D 100 CA	
2	518 181	Arm Cover 781 D 300 CA	
3	500 429-821	Countersunk Screw	4
4	500 504-853	Thumb Screw	
5	512 671	Pressure Member	
6	500 438-833	Set Screw	
7	263 469	Adjusting Collar cpl.	3
8	200 378-850	Set Screw	3
9	513 192	Shaft	
10	513 308	Lever cpl.	
11	000 129-850	Screw (Cylinder Head)	
12	502 634	Retaining Ring	
13	502 802	Retaining Ring	2
14	513 199	Strap	
15	513 234	Tension Spring cpl.	
16	512 120	Slotted Pin	
17	513 235	Actuating Shaft	
18	500 367-850	Screw (Cylinder Head)	2
19	001 521-850	Hexagon Nut	2
20	513 271	Bushing	
21	512 119	Cup Spring	6



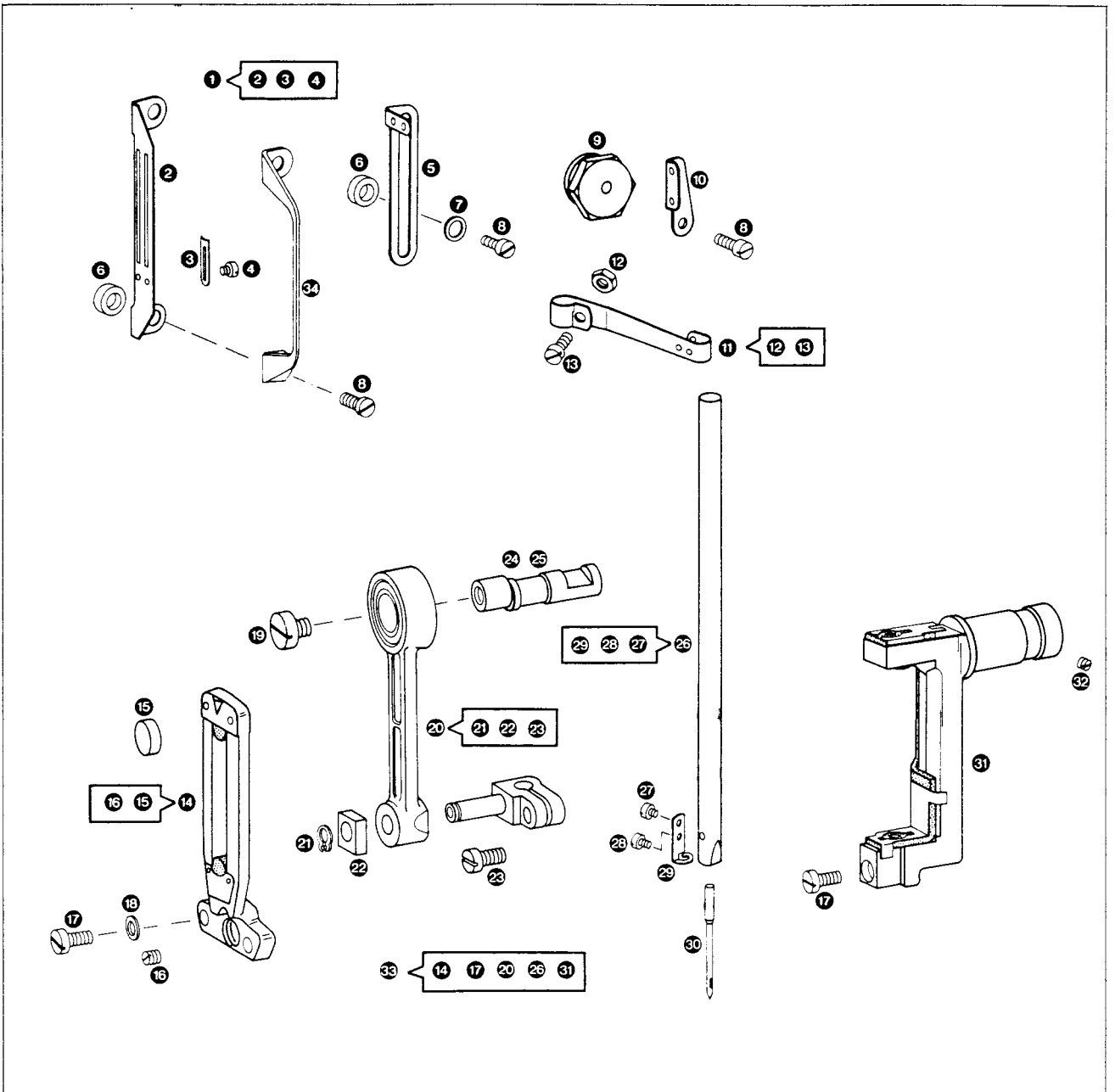
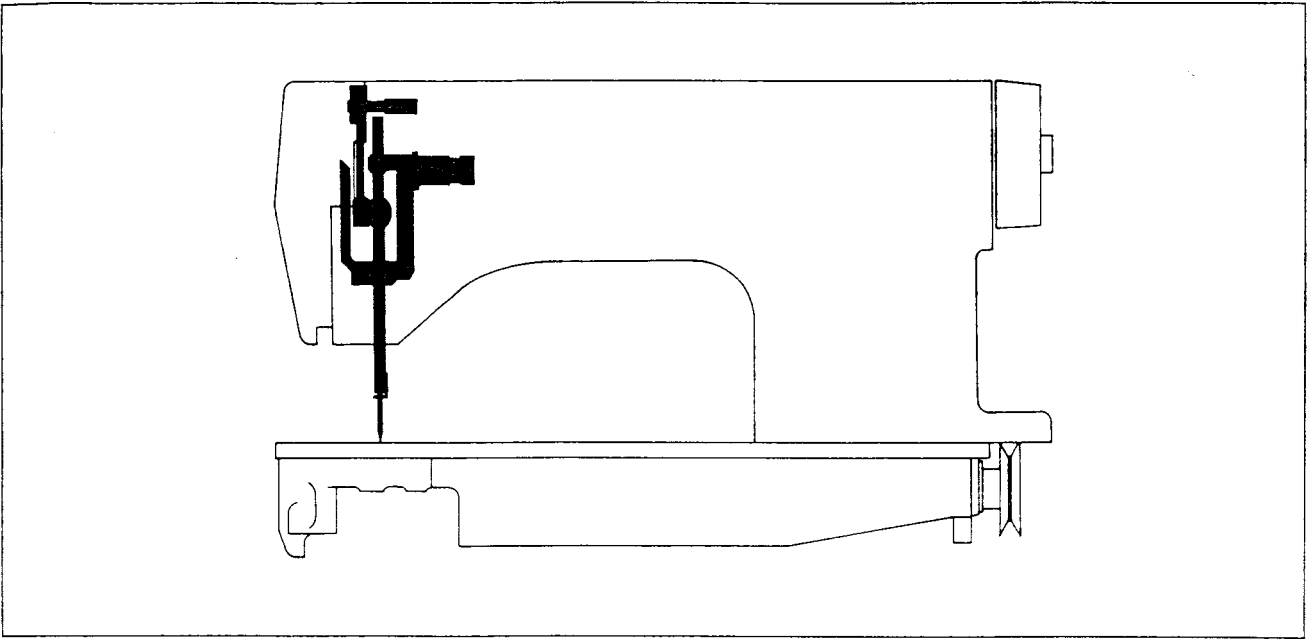
Ref. No.	Part No. For Ordering	Description	Amt. Req.
1	518 173	Guide cpl.	
2	000 145-850	Screw (Fillister Head)	
3	502 802	Retaining Ring	4
4	512 096	Spring Washer	
5	518 174	Washer	
6	518 171	Angle cpl.	
7	512 658	Shaft cpl.	
8	518 015	Lifter Lever cpl.	
9	518 135	Gasket Ring	
10	350 719-869	Screw (Cylinder Head)	
11	518 036	Stop	
12	518 160	Tension Spring cpl.	
13	502 867	Slotted Pin w/shoulder	
15	512 776	Connecting Rod	
16	502 958	Retaining Ring	2
17	512 777	Angular Lever cpl.	
18	512 779	Stud	
19	000 448-833	Set Screw	
20	518 097	Presser Bar cpl.	
21	518 099	Bushing	
22	157 881	Hexagon Nut cpl.	
23	000 906-830	Set Screw	



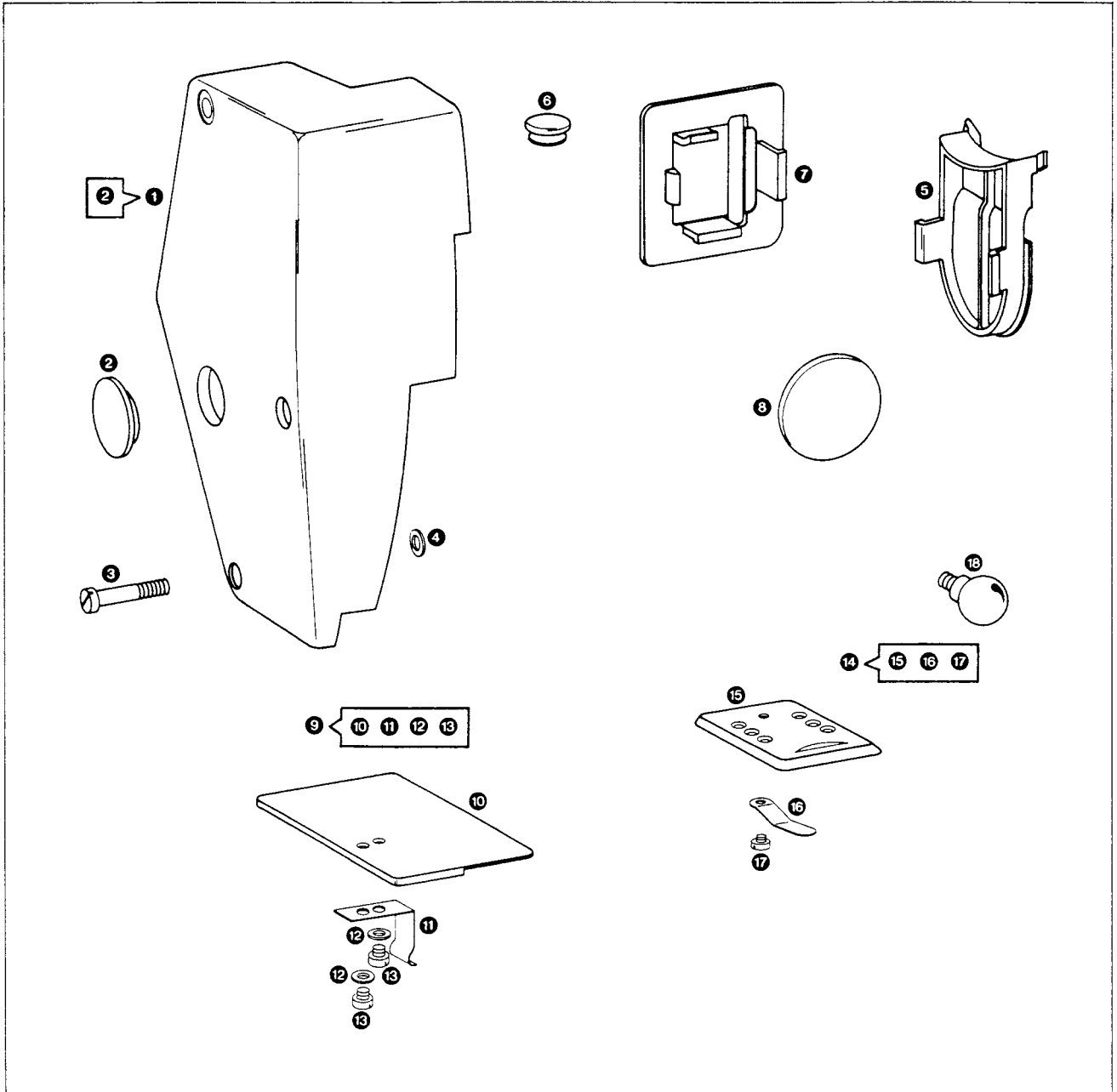
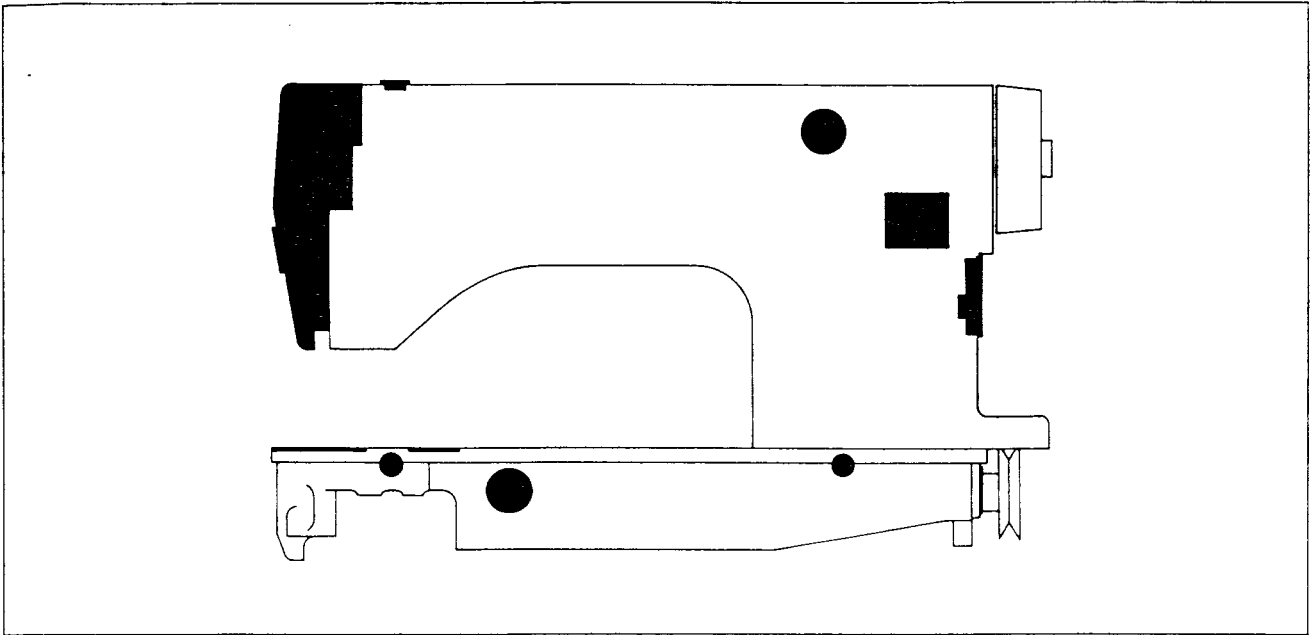
Ref. No.	Part No. For Ordering	Description	Amt. Req.
1	518 149	Connecting Link w/Ball Joint cpl.	
2	518 150	Connecting Link w/Ball Joint	
3	513 100	Grooved Ball Bearing	
4	518 075	Plug, left cpl.	
5	500 370-850	Screw (Cylinder Head)	6
6	518 074	Plug, right cpl.	
7	518 080	Stud w/Ball Joint	
8	000 440-833	Set Screw	
9	050 624-833	Screw (Fillister Head)	
10	500 784-819	Hexagon Nut	3
11	500 497-850	Hexagon Screw	3
12	518 020	Thread Puller cpl.	
13	001 057-833	Screw (Fillister Head)	
14	518 095	Needle Guide (front)	
15	518 009	Bracket cpl.	
16	000 208-833	Screw (Cylinder Head)	2
17	350 719-869	Screw (Cylinder Head)	4
18	518 152	Looper Frame w/Looper Lever and Looper Driving Lever	
19	518 004	Looper Frame	
20	000 448-833	Set Screw	2
21	500 426-833	Set Screw	
23	512 082	Threaded Stud	
24	518 101	Ring	2
25	518 073	Washer	4
26	518 153	Bushing w/Ball Bearing cpl.	2
27	518 081	Washer	2
28	001 718-850	Hexagon Nut	2
29	518 003	Looper Driving Lever cpl.	
30	518 002	Looper Lever	
31	350 595-869	Set Screw	
32	518 154	Bracket w/Needle Guide cpl.	
33	518 021	Needle Guide cpl.	
34	518 022	Bracket for Needle Guide	
35	512 011	Washer	3
36	500 059-803	Screw (Cylinder Head)	
37	001 057-833	Screw (Fillister Head)	2
38	518 068	Stud	
39	518 070	Stud	
40	518 071	Washer	
41	518 130	Foam cushion	2



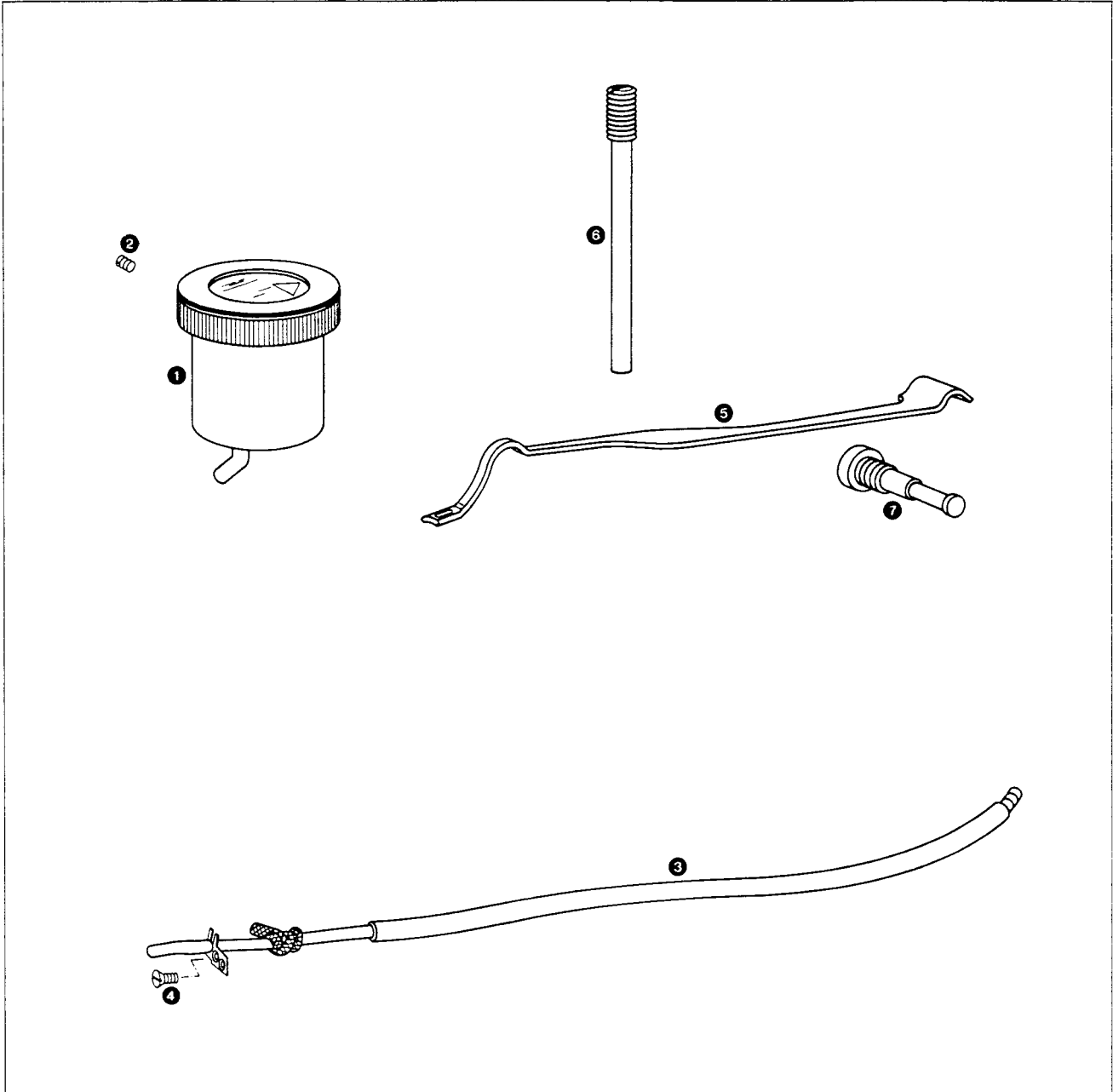
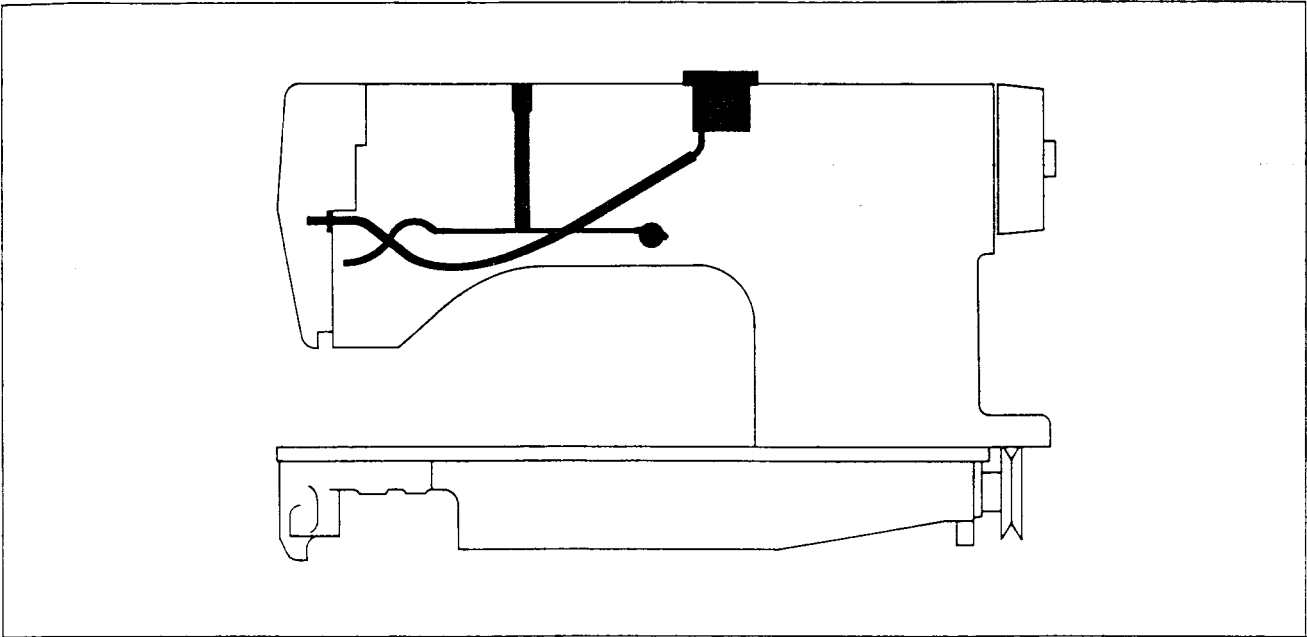
Ref. No.	Part No. For Ordering	Description	Amt. Req.
1	518 158	Thread Guide cpl.	
2	518 059	Thread Guide	
3	518 064	Thread Stop	
4	500 471-850	Screw (Fillister Head)	
5	518 063	Thread Guide	
6	518 066	Washer	3
7	512 008	Washer	
8	500 115-850	Screw (Fillister Head)	4
9	500 505-819	Screw (Hexagon Head)	
10	512 062	Thread Guide	
11	518 065	Thread Guide	
12	182 514-850	Hexagon Nut	
13	000 808-833	Screw (Fillister Head)	
14	518 007	Fork Guide cpl.	
15	518 116	Foam Cushion	2
16	000 624-833	Set Screw	
17	500 435-850	Screw (Cylinder Head)	3
18	204 925	Washer	2
19	500 405-850	Screw (Cylinder Head)	
20	518 156	Connecting Rod cpl.	
21	512 750	Retaining Ring	
22	518 129	Slide Block	
23	500 251-850	Screw (Fillister Head)	
24	518 054	Eccentric Stud 781 D 100	
25	518 055	Eccentric Stud 781 D 300	
26	518 057	Needle Bar cpl.	
27	000 665-850	Screw (Cylinder Head)	
28	000 223-850	Screw (Cylinder Head)	
29	502 597	Thread Guide	
30	003 651-161	Needle	
31	512 756	Needle Bar Frame cpl.	
32	001 036-830	Set Screw	
33	518 169	Needle Bar Bushing cpl.	
34	518 058	Finger Guard	



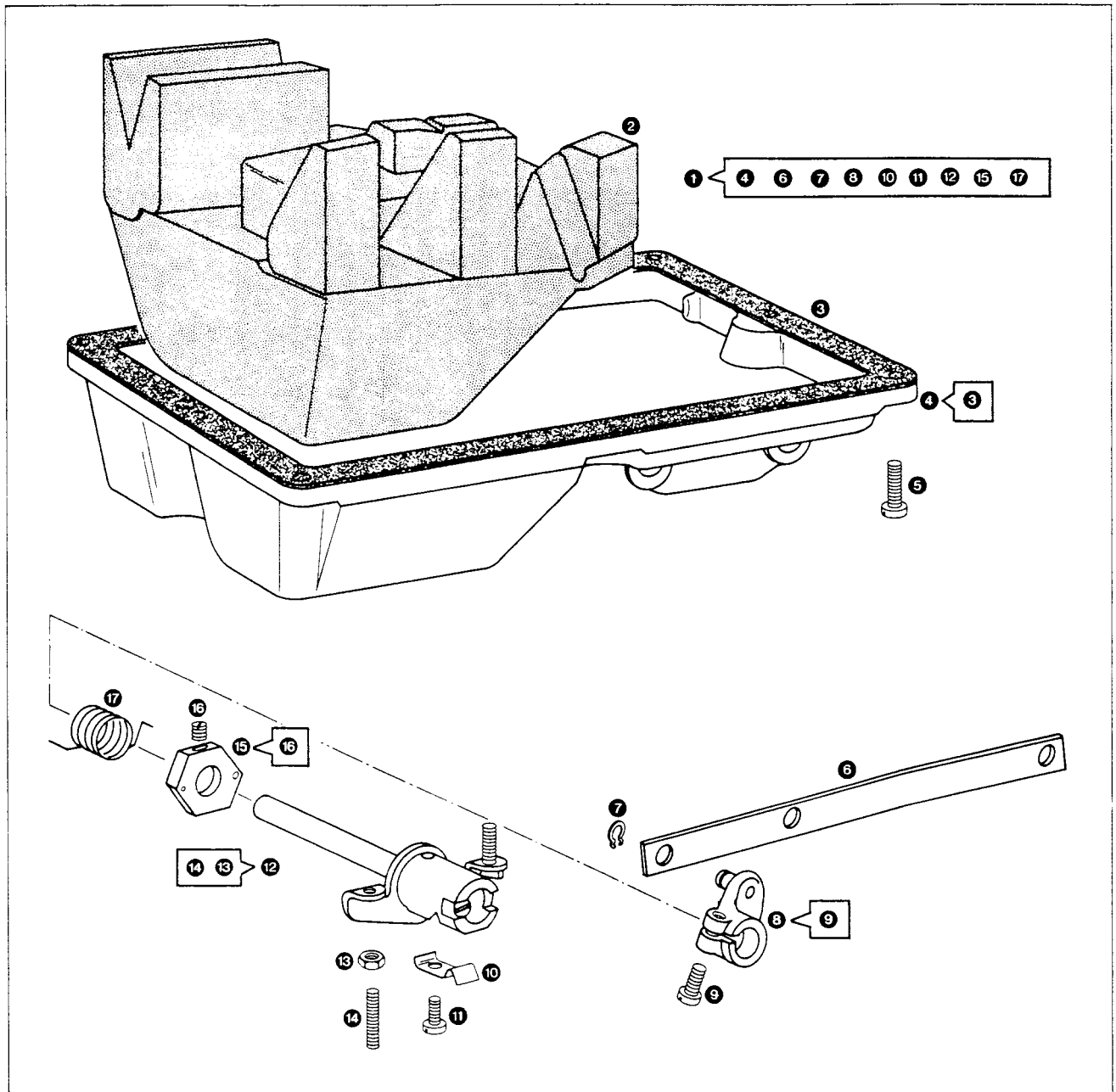
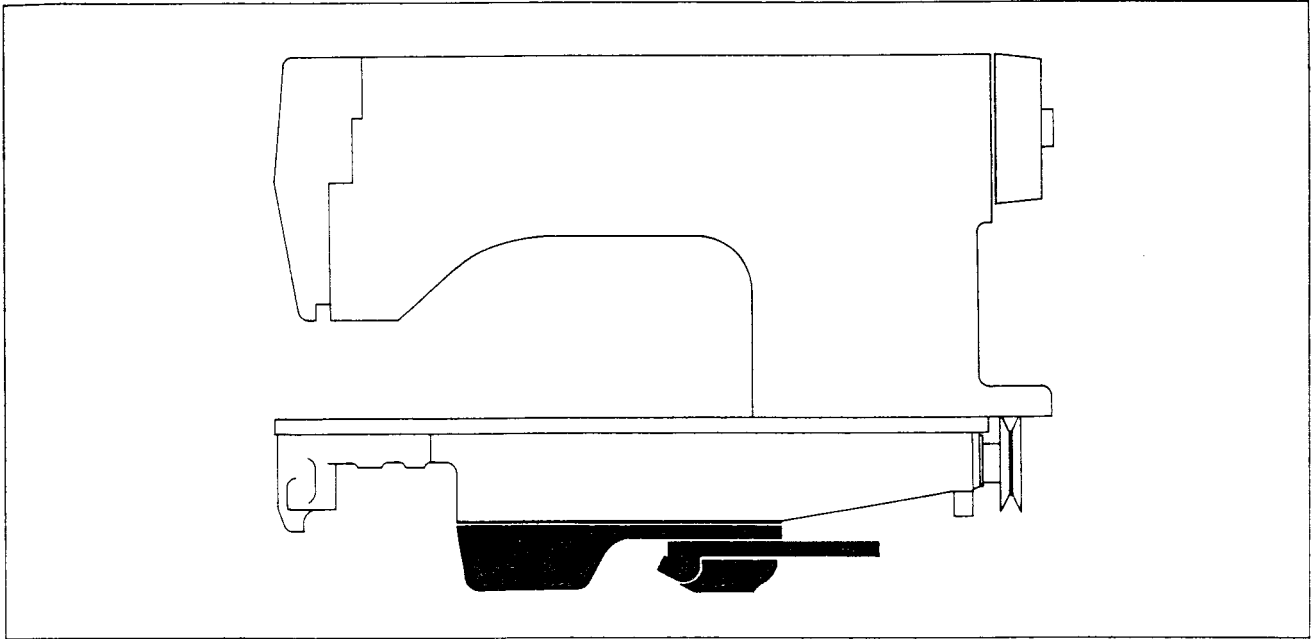
Ref. No.	Part No. For Ordering	Description	Amt. Req.
1	518 028	Face Plate cpl.	
2	512 946	Closing Plug	
3	000 122-850	Screw (Fillister Head)	3
4	512 793	Washer	2
5	512 894	Closing Plug	
6	513 079	Closing Plug	
7	518 133	Closing Plug	
8	518 168	Closing Plug	2
9	518 216	Cover Plate cpl.	
10	518 126	Cover Plate	
11	518 217	Spring	
12	202 603	Washer	2
13	183 130-850	Screw (Cylinder Head)	2
14	142 386	Slide cpl.	
15	142 385	Slide	
16	146 874	Leaf Spring	
17	051 282-850	Screw	
18	500 452-850	Ball Stud	3



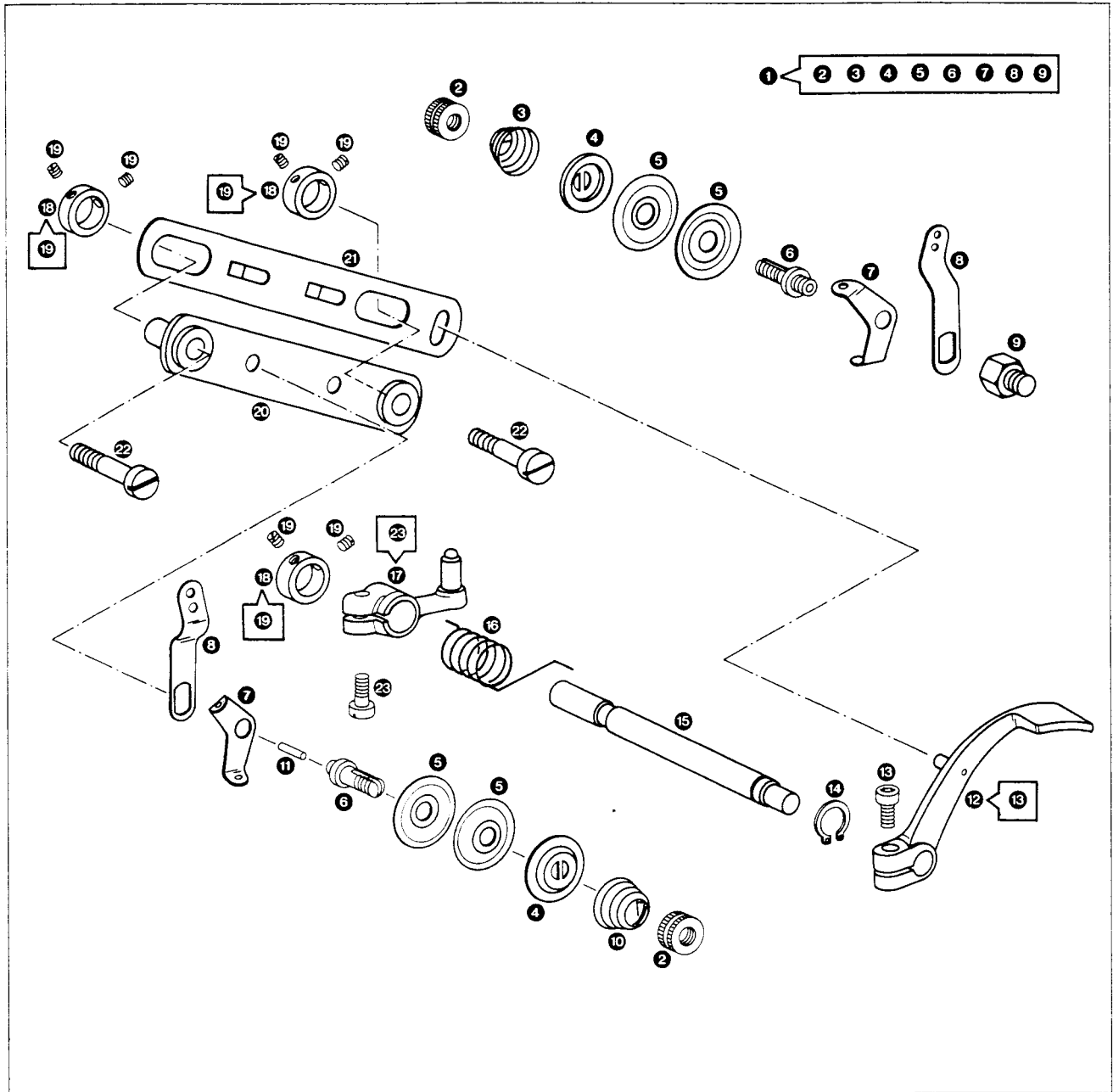
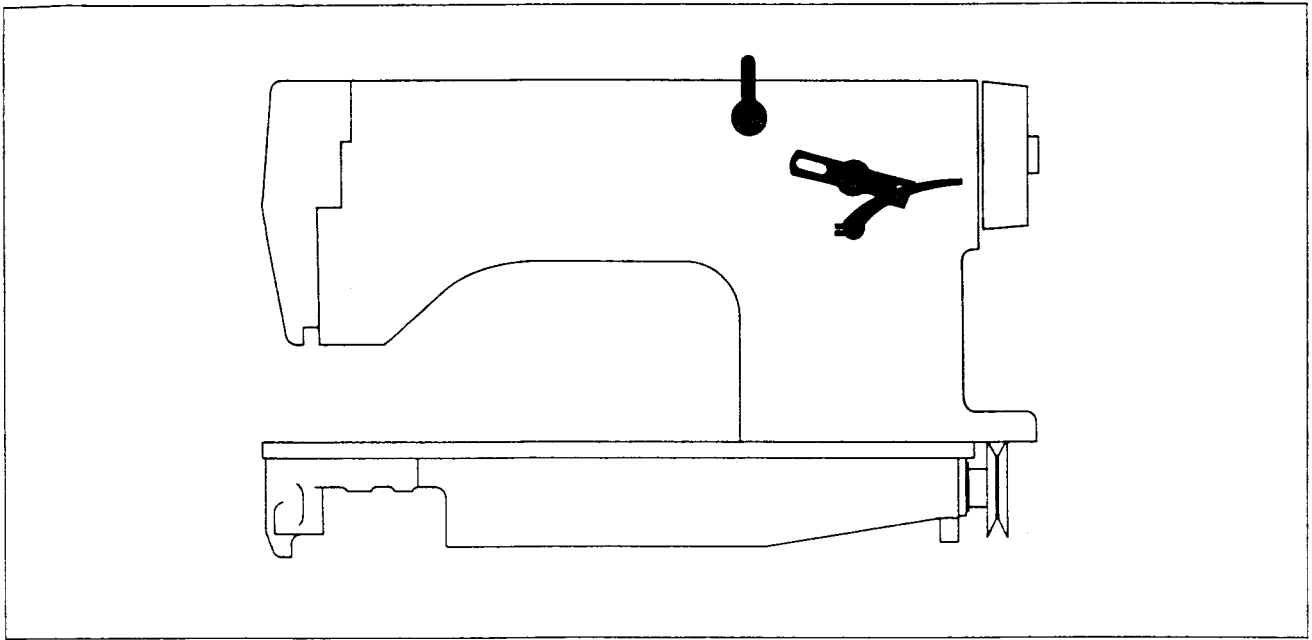
Ref. No.	Part No. For Ordering	Description	Amt. Req.
1	518 102	Oil Container cpl.	
2	500 438-833	Set Screw	
3	518 162	Oil Tube cpl.	
4	500 443-850	Countersunk Screw	
5	513 062	Leaf Spring	
6	500 455-821	Regulating Screw	
7	500 456-821	Bearing Screw	



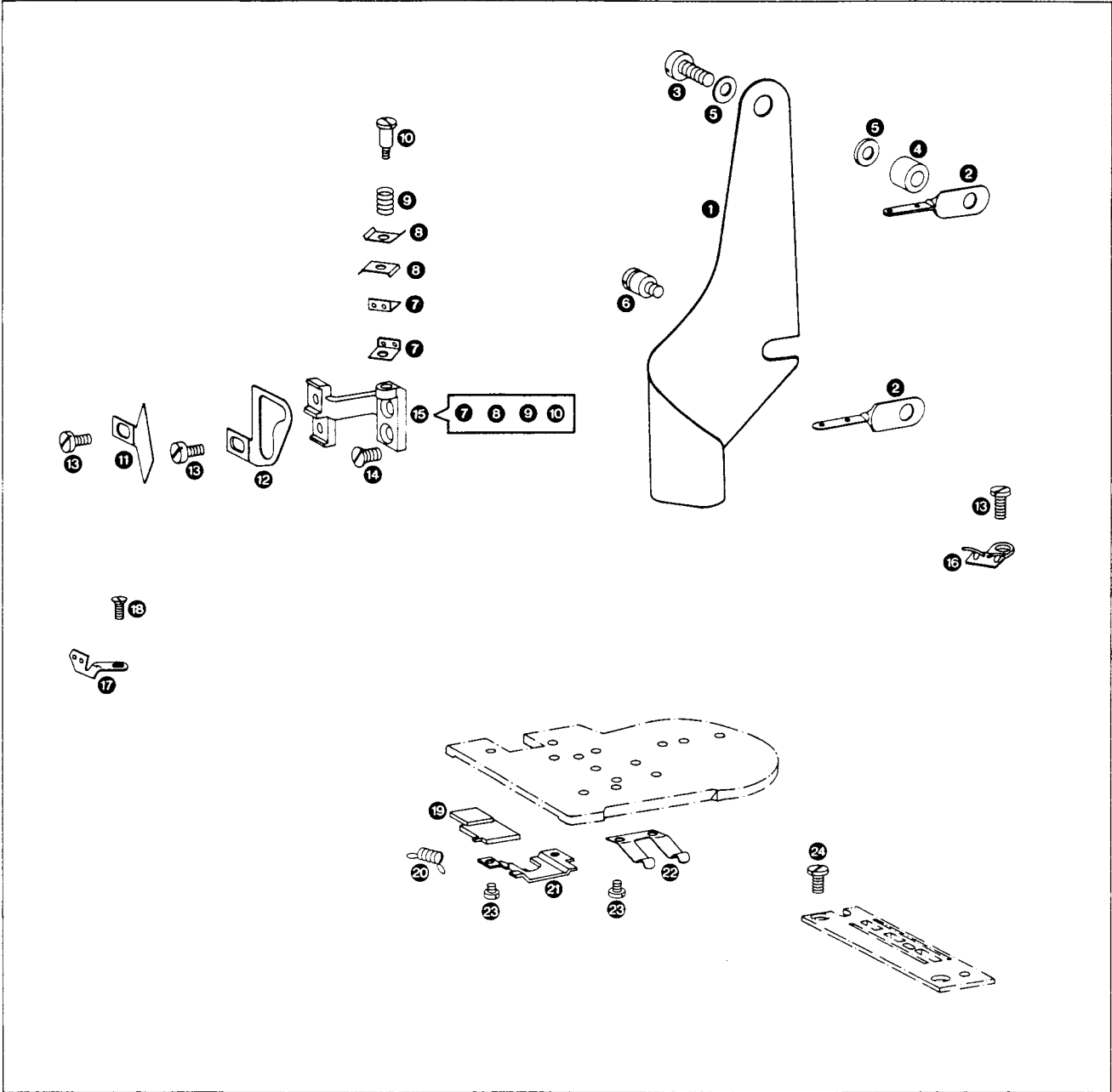
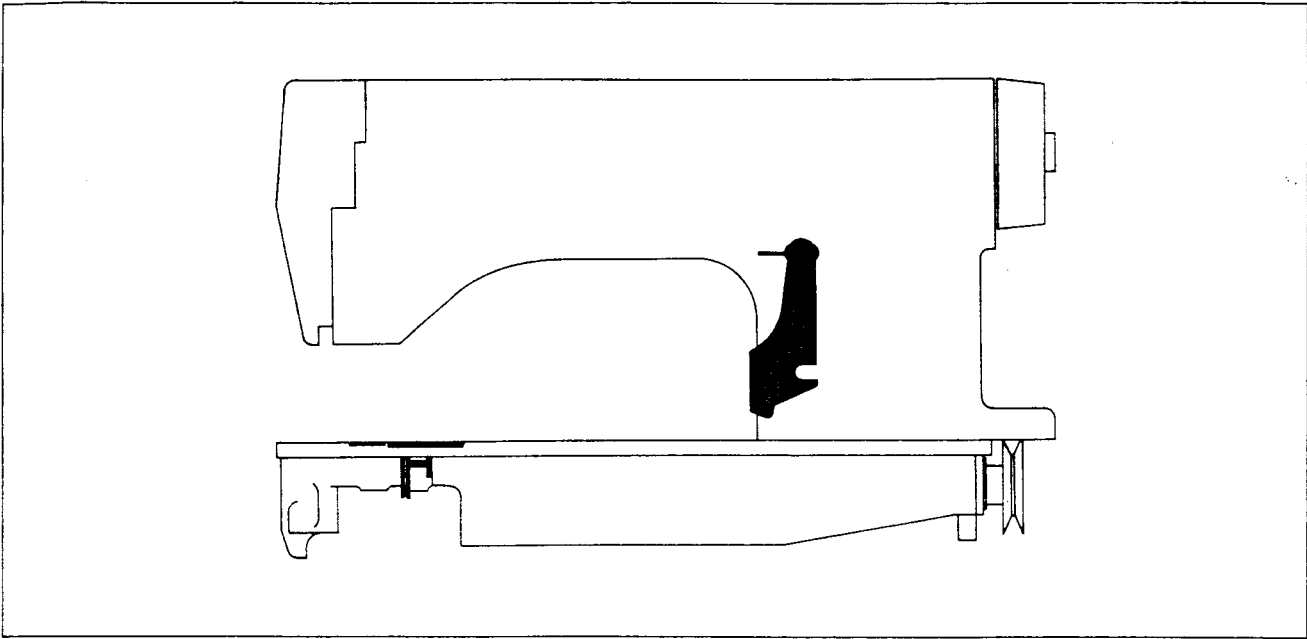
Ref. No.	Part No. For Ordering	Description	Amt. Req.
1	518 170	Bed Cover cpl.	
2	518 134	Foam Cushion	
3	518 111	Gasket	
4	518 157	Bed Cover w/Gasket	
5	500 440-850	Screw (Cylinder Head)	8
6	512 778	Connecting Rod	
7	502 802	Retaining Washer	
8	512 780	Crank cpl.	
9	001 149-850	Screw (Cylinder Head)	
10	513 213	Leaf Spring	
11	000 190-850	Screw (Fillister Head)	
12	513 211	Actuating Shaft cpl.	
13	001 521-850	Hexagon Nut	2
14	500 296-833	Set Screw	2
15	512 784	Adjusting Collar	
16	500 438-833	Set Screw	
17	512 783	Torsion Spring	



Ref. No.	Part No. For Ordering	Description	Amt. Req.
1	518 161	Looper Thread Tension cpl.	
2	001 560-850	Tension Nut	2
3	156 376	Conical Spiral Spring	
4	032 572	Thread Lifter Disc	2
5	002 102	Tension Disc	4
6	140 043-803	Tension Stud	2
7	156 316	Thread Guide	2
8	156 801	Thread Guide	2
9	518 047	Threaded Stud (Hex.)	
10	202 407	Conical Spiral Spring	
11	156 262	Cylinder Pin	
12	518 024	Lifter Lever	
13	350 719-869	Screw (Cylinder Head)	
14	502 634	Retaining Ring	
15	518 037	Shaft	
16	518 038	Torsion Spring	
17	518 008	Actuating Lever cpl.	
18	502 739	Adjusting Collar	3
19	500 288-833	Set Screw	6
20	518 031	Thread Tension Plate cpl.	
21	518 039	Lifter Plate cpl.	
22	500 494-850	Screw (Fillister Head)	2
23	001 149-850	Pinch Screw	

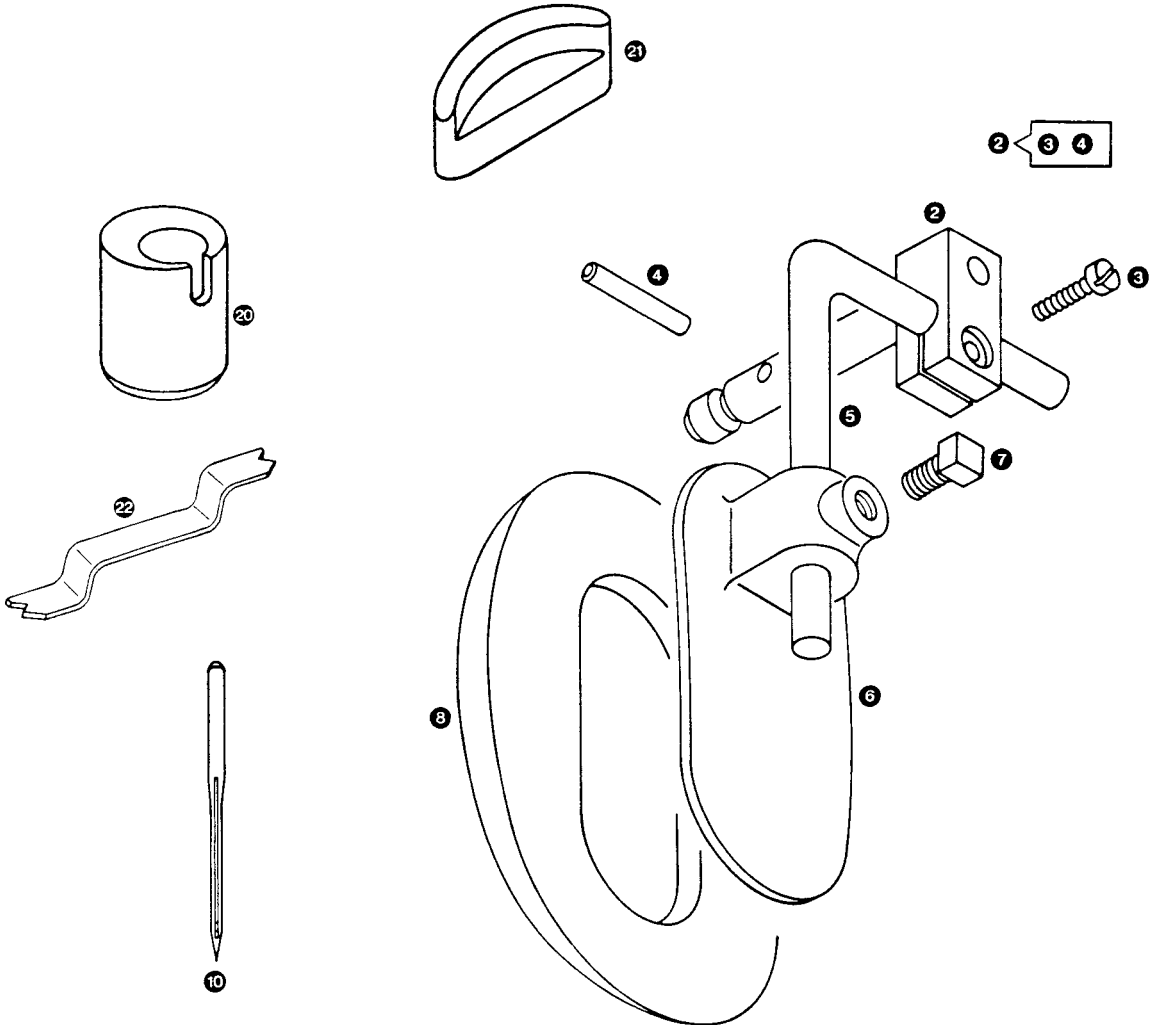
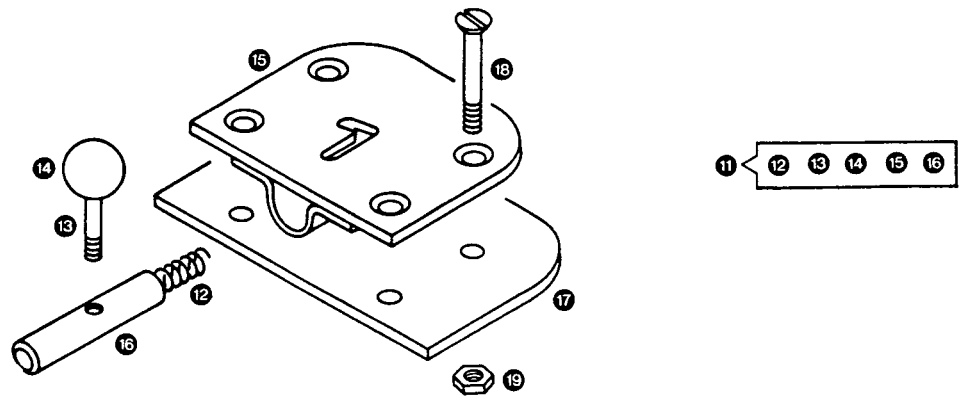


Ref. No.	Part No. For Ordering	Description	Amt. Req.
1	518 109	Thread Guard	
2	518 043	Thread Guide	2
3	500 495-850	Screw (Fillister Head)	
4	518 049	Bushing	
5	512 096	Spring Washer	2
6	500 496-850	Screw (Cylinder Head)	
7	518 045	Thread Guide	2
8	518 042	Tension Plate	2
9	156 528	Pressure Spring	
10	141 339-850	Screw w/shoulder (Fillister Head)	
11	518 119	Thread Deflector	
12	518 118	Thread Deflector	
13	500 009-850	Screw (Fillister Head)	3
14	001 319-850	Screw Countersunk (Fillister Head)	2
15	518 017	Bracket cpl.	
16	518 040	Thread Guide	
17	518 046	Thread Guide	
18	500 443-850	Screw, countersunk	
19	518 175	Lock Bolt cpl.	
20	146 690	Tension Spring	
21	146 689	Latch Guide	
22	146 691	Leaf Spring	
23	001 470-819	Screw (Cylinder Head)	
24	001 454-850	Screw (Cylinder Head)	2



ACCESSORIES

Ref. No.	Part No. For Ordering	Description	Amt. Req
2	512 788	Knee Lifter Clamp with 140 377 and 512 054	
3	140 377-850	Knee Lifter Clamp Pinch Screw	
4	512 054	Knee Lifter Clamp Pin	
5	502 583	Knee Lifter Arm	
6	228 364	Knee Lifter Plate with 350 231	
7	350 231-850	Knee Lifter Plate Set Screw	
8	150 668	Knee Lifter Plate Pad	
10	0-003 651-016	Package of Needles	5
11	512 962	Machine Tilting Safety Bolt cpl.	
12	263 738	Machine Tilting Safety Bolt Spring	
13	500 448-850	Machine Tilting Safety Bolt Screw	
14	512 086	Machine Tilting Safety Bolt Ball	
15	512 963	Machine Tilting Safety Bolt Guide	
16	512 964	Machine Tilting Safety Bolt	
17	512 965	Machine Tilting Safety Bolt Plate	
18	500 447-850	Machine Tilting Safety Bolt Plate Screw	4
19	51 775-850	Machine Tilting Safety Bolt Plate Nut	4
20	512 797	Rubber Pivot Cushion	3
21	513 305	Machine Rest Pad	
22	518 167	Hook Setting Gage	



ACCESSORIES

Ref. No.	Part No. For Ordering	Description	Amt. Req.
1	517527	Thread Unwinder cpl. Nos. 263471, 511908, 512094, 517528, 517531, 517532, 517536, two each 512093, 517529, 517530 and three each 511591, 517533, 517534 and 517535	
2	263471	Thread Unwinder Rod Retaining Ring	
3	511908-850	Thread Unwinder Rod Nut	
4	512094	Thread Unwinder Screwed Gland	
5	517528	Thread Unwinder Foot	
6	517531	Thread Unwinder Rod Cap	
7	517532	Thread Unwinder Spool Carrier Arm with 511584 and 511901	
8	511584-850	Thread Unwinder Spool Carrier Arm Screw	
9	511901-830	Thread Unwinder Spool Carrier Arm Nut	
10	517536	Thread Unwinder Thread Guide with 511584, 511901 and three 517537	
11	511584-850	Thread Unwinder Thread Guide Screw	
12	511901-830	Thread Unwinder Thread Guide Nut	
13	517537	Thread Unwinder Thread Guide Bushing	3
14	512093	Thread Unwinder Rod Washer	2
15	517529	Thread Unwinder Rod	2
16	517530	Thread Unwinder Rod Connection	
17	517530	Thread Unwinder Plain Coupler	
18	511591-819	Thread Unwinder Wood Screw	3
19	517533	Thread Unwinder Spool Carrier Plate	3
20	517534	Thread Unwinder Spool Cushion	3
21	517535	Thread Unwinder Spool Holder	3
22	603271	Machine Grounding Wire	
23	512021	Machine Grounding Wire Lock Washer	
25	228476	Screw Driver	
26	120440	Screw Driver	
27	239353	Socket Wrench (5/32")	
28	023535	Open End Wrench (19/64")	
29	225491	Machine Rest Pin	
30	517603	Oiler cpl. with Spout and Oil (0.25 ltr.)	
31	503869	Drip Pan	
32	512092	Drip Pan Nail	8
33	267 242	Socket Wrench (3/38")	
34	518 176	Pinzette	

